

Registration

Event Information



Conference Announcement and
Call for Contributions

**IPS Cable Simulation User Conference on 23rd and 24th
June 2015 plus workshop on 25th June 2015 (optional)
in Deidesheim, Germany**

- Yes, I will attend the conference. The conference fee is 600 € plus VAT.
- In addition to the conference, I will participate in the workshop on new features of IPS Cable Simulation 3.0 on 25th June 2015. The fee for the workshop is 200 € plus VAT.
- No, I cannot attend, but I am interested in receiving further information.

Title, First name, Family name

Company/Institution, Department

Postal address, Zip code, City, Country

Phone

E-mail

Date, Signature

Please send this registration by 1st June 2015 via E-mail to
ips.conference@flexstructures.de

Conference Language

- Contributions and presentation slides in English

Conference Fees

- Regular conference fee (23rd and 24th June 2015): 600 € plus VAT
- Optional: Fee for workshop (25th June 2015): 200 € plus VAT
- Speakers: free

Location and Accommodation

Kaisergarten Hotel & Spa Deidesheim
Weinstraße 12, 67146 Deidesheim, Germany
Phone: +49 (0)6326/70 00 77
E-mail: info@kaisergarten-deidesheim.com

We have reserved a contingent of rooms in the conference hotel. Please make your booking early (key word: IPS User Conference). Alternative hotels are available here:
www.deidesheim.de/en/gastlich/hotels.html

Contact with regard to organization/contributions

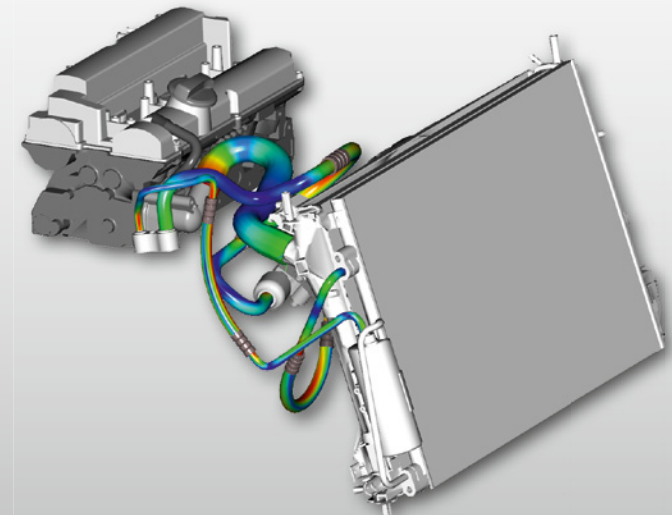
Esther Neumann, fleXstructures GmbH
Phone: +49 (0)631/680 39-360
E-mail: ips.conference@flexstructures.de

Contact with regard to content

Dr. Klaus Dreßler, Fraunhofer ITWM
Phone: +49 (0)631/316 00-44 66
E-mail: klaus.dressler@itwm.fraunhofer.de

IPS Cable Simulation User Conference 2015

**23rd and 24th June 2015
plus workshop on 25th June 2015 (optional)
Deidesheim, Germany**



In cooperation with





IPS Cable Simulation User Conference 2015

Preliminary Program

Call for Contributions

IPS AB, fleXstructures GmbH, Fraunhofer Chalmers Centre FCC and the Fraunhofer Institute for Industrial Mathematics ITWM are pleased to invite you to the 1st IPS Cable Simulation User Conference 2015.

Since 2004 Fraunhofer ITWM in Kaiserslautern and the Fraunhofer Chalmers Centre FCC in Gothenburg have been cooperating in the development of fast and accurate simulation methods for cables and hoses.

The challenge has been to combine the exact calculation of highly flexible motion with very fast computation to enable interactive operations. In response to this challenge, the institutes developed a new modeling and simulation methodology laying the ground for today's IPS Cable Simulation software.

Today a great number of users in Europe, America and Asia appreciate IPS Cable Simulation and benefit from its unique features and functionalities. The IPS Cable Simulation User Conference brings together users of IPS Cable Simulation from all over the world. It provides the opportunity to

- learn more about the making of the software, the technological background and new features
- share experiences with the software, e.g. in the fields of design, virtual assembly and digital validation of flexibles
- create a network of experts applying the cable simulation technology
- have an introduction to IPS Cable Simulation 3.0

Tuesday, 23rd June 2015

- Welcome and opening (10 a.m.)
- Presentations (features and technology challenges)
- Presentations (case studies, application projects, etc.)
- Discussions, networking, brainstorming
- Conference dinner

Wednesday, 24th June 2015

- Presentations (case studies, application projects, etc.)
- Presentations (application challenges)
- Presentations (release plan, roadmap)
- Discussions, networking, brainstorming
- End of conference (5 p.m.)

On both days, there is an opportunity to join update seminars related to the new features of IPS Cable Simulation 3.0.

Thursday, 25th June 2015 (optional)

- Workshop on IPS Cable Simulation 3.0
- Discussions, networking, brainstorming
- End of the event (2 p.m.)

We invite users of IPS Cable Simulation to share their experiences with the software.

Please contribute to this conference by submitting presentation proposals for topics related to IPS Cable Simulation. The presentations should deal with case studies, success stories, application projects and application challenges. We also appreciate contributions about possible future fields of application, trends and developments in the field of cable simulation.

Abstracts

Please submit an abstract of your contribution (in English language; 400 words maximum) by 15th January 2015. The abstract should contain the key topic, the title of the contribution as well as name, address and company of the submitting author(s). Please send your abstract via E-mail to: ips.conference@flexstructures.de

Terms

By 15th January 2015:
Submission of abstracts

By 15th February 2015:
Notification of authors

By 15th May 2015:
Submission of full versions of contributions